

Railing Design Quote Sheet

2700 Alabama Hwy. 69 South
 Cullman, AL 35057
 1-800-711-1785
 Fax: 256-287-9895
 Email: info@railingworks.com

Name: _____

*Address: _____

*City: _____ *State: _____ *Postal Code: _____

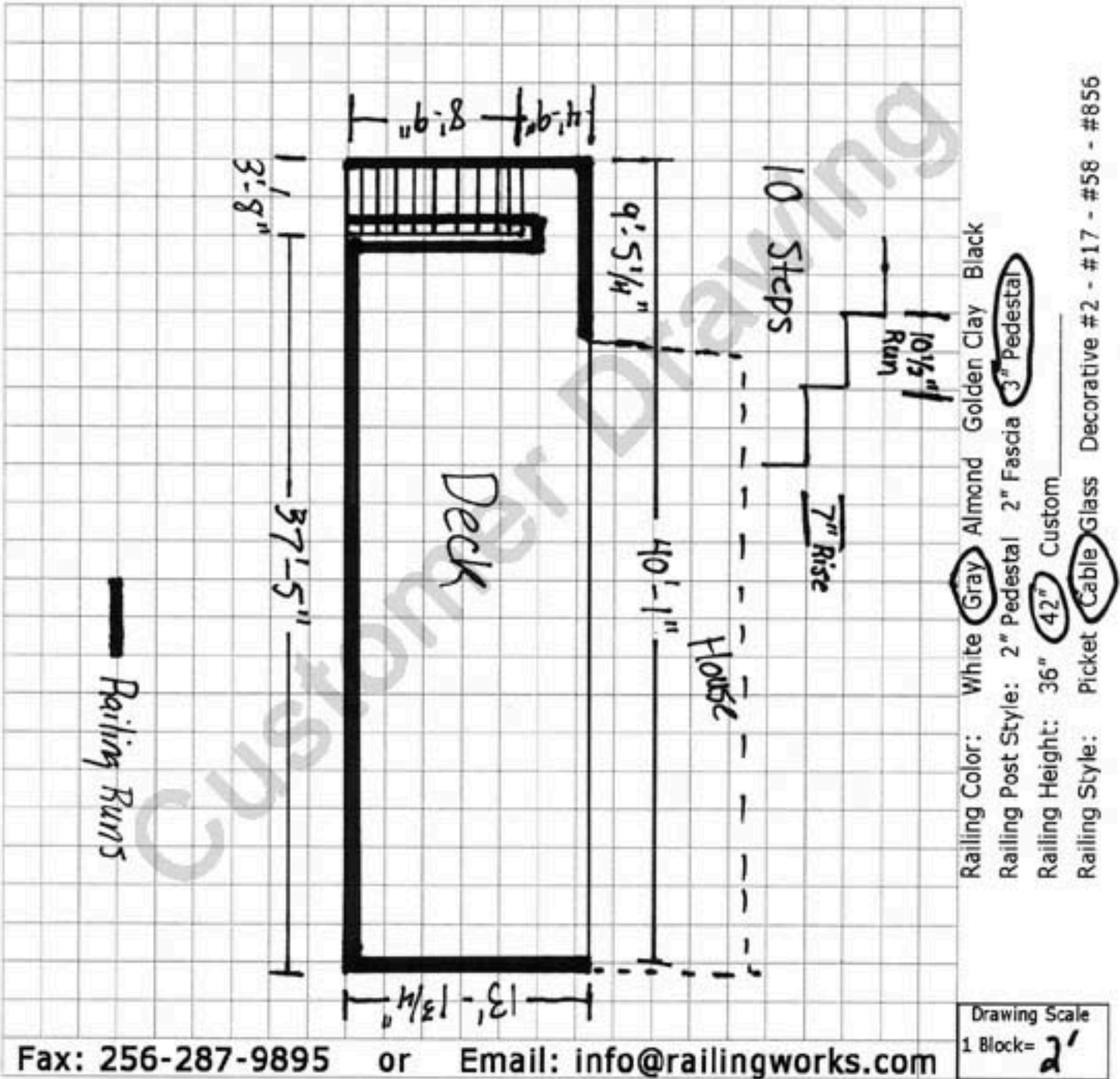
Telephone: _____

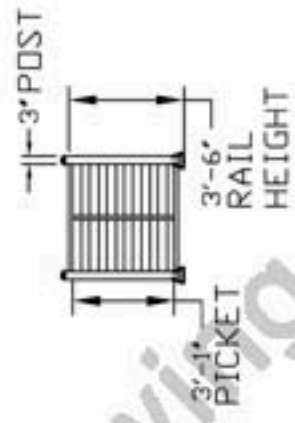
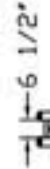
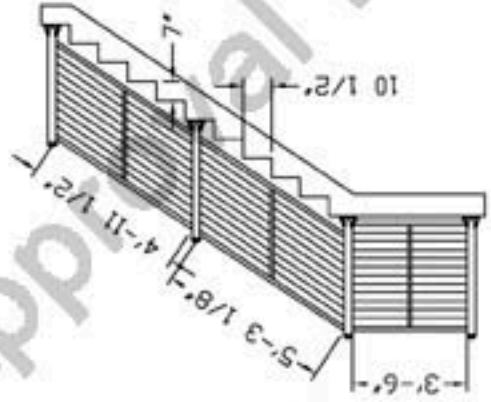
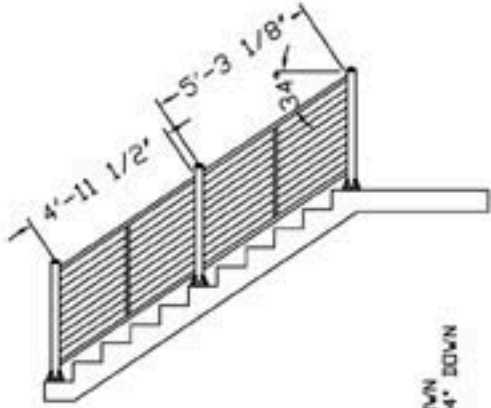
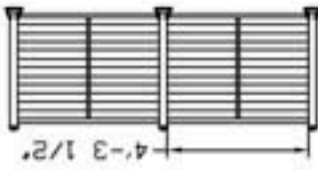
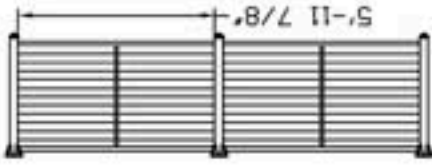
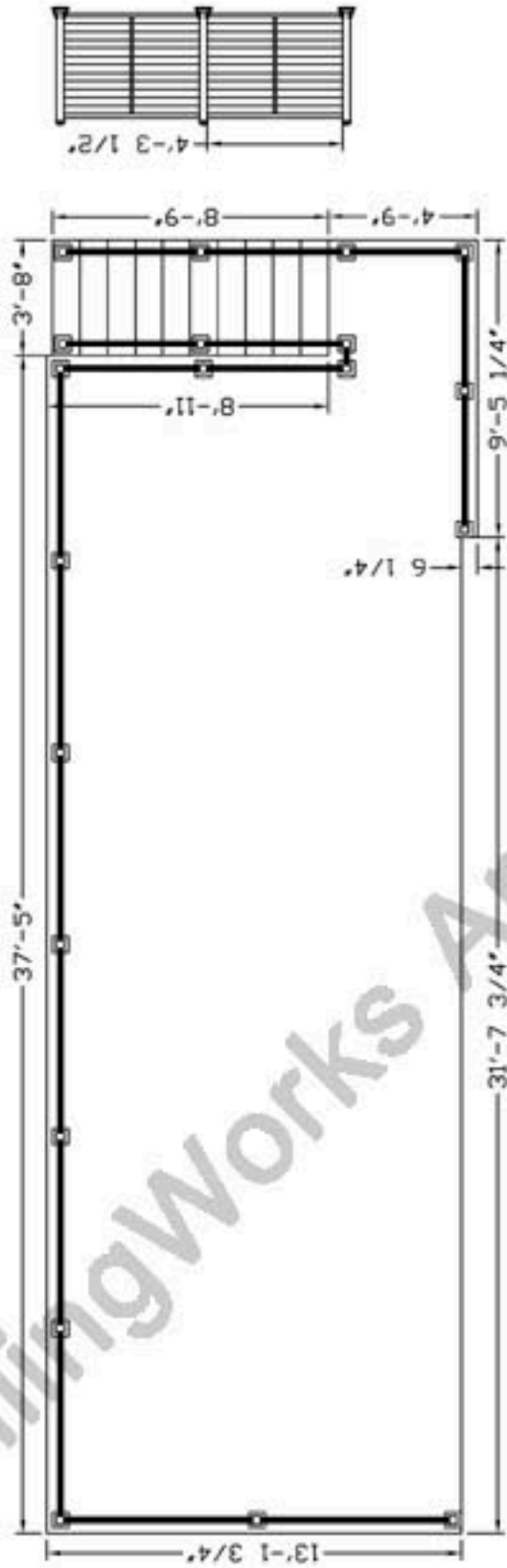
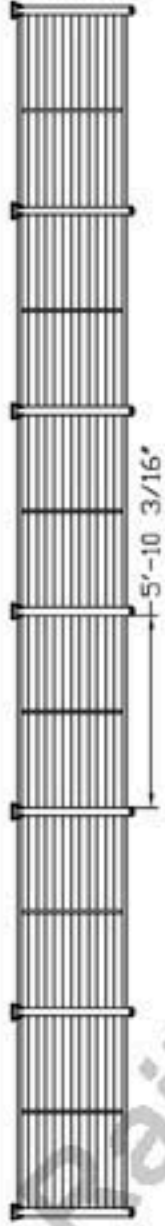
Fax: _____

Email: _____

*Please be sure to list an accurate shipping address.

Please list all outside dimensions of deck.
 If you have stairs, please list the rise, run, and number of steps.





RAILING SYSTEM WILL INCLUDE:

- (2) 44" GRAY DEAD END POST @ 34" UP
- (2) 44" GRAY DEAD END POST @ 34" DOWN
- (1) 44" GRAY END TO END POST @ 0" & 34" DOWN
- (2) 44" GRAY END TO END POST @ 34" UP & 34" DOWN
- (4) 44" GRAY CORNER POST @ 0" & 90"
- (1) 44" GRAY CORNER POST @ 0" & 34" DOWN
- (2) 5'-11 7/8" GRAY CABLE RAILS @ 0"
- (6) 5'-10 3/16" GRAY CABLE RAILS @ 0"
- (2) 4'-3 1/2" GRAY CABLE RAILS @ 0"
- (1) 0'-6 1/2" GRAY PICKET RAIL @ 0"
- (2) 4'-1 7/8" GRAY CABLE RAILS @ 0"
- (1) 3'-6" GRAY CABLE RAIL @ 0"
- (2) 5'-3 1/8" GRAY CABLE RAILS @ 34"
- (2) 4'-11 1/2" GRAY CABLE RAILS @ 34"
- (20) GRAY PEDESTALS WITH GASKETS & HARDWARE
- (11) 65" CABLE ASSEMBLYS
- (9) 10" CABLE ASSEMBLYS
- (2) 15" CABLE ASSEMBLYS
- (9) 25" CABLE ASSEMBLYS

CUSTOMER APPROVAL DRAWING	
SIGNED:	
DATE:	
PLEASE REVIEW ALL MEASUREMENTS. RAILINGS WILL BE MANUFACTURED ACCORDING TO THE DIMENSIONS ON THIS SHEET.	

DWG NO. JAMES PATRICK

SCALE N/A DRAWN BY: DON

SHEET 1 OF 1